



GOVERNMENT OF
KAMCHATSKIY
KRAI

Creation of agro-industrial ground in Nagorny village of Yelizovo district

Vladimir Rubakhin
JSC "Agrotech Holding"

Description of the project



Project initiator:

Government of Kamchatskiy krai

Location:

Nagorny village, Yelizovo municipal district

Description of the project:

Project of agricultural products output

Total cost of the project:

116,7 million \$



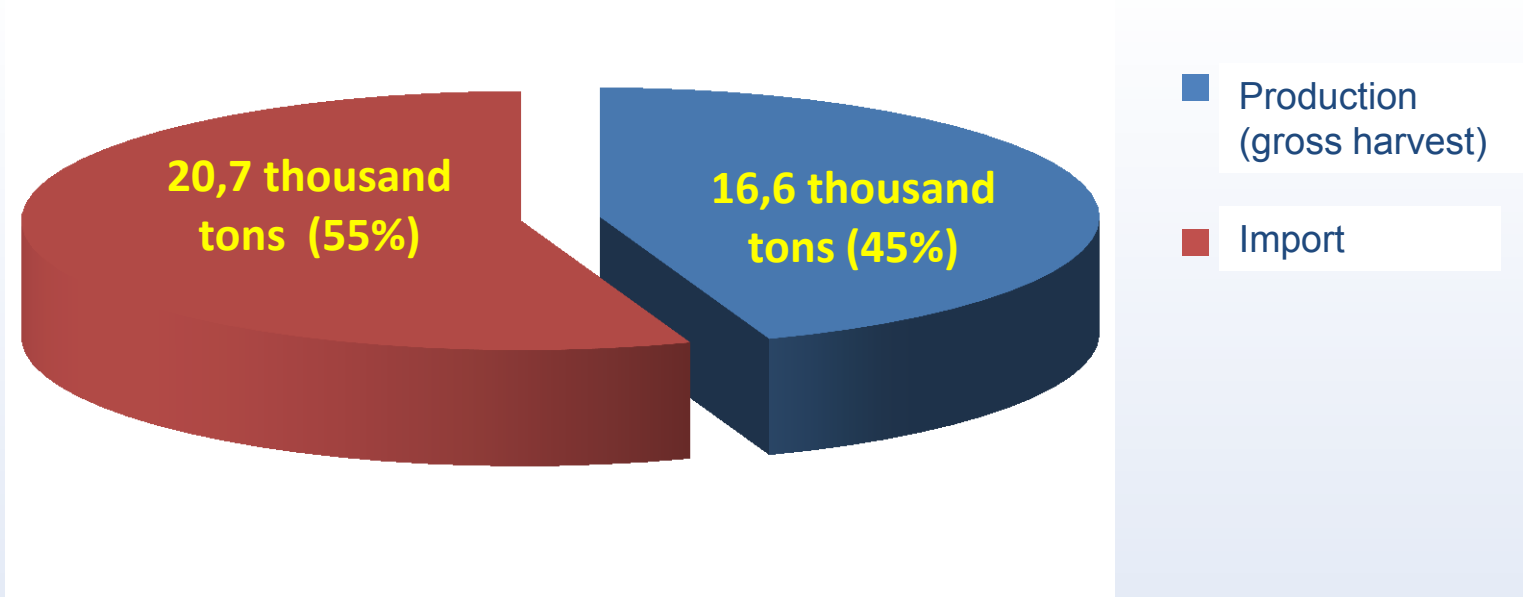
Plant growing analysis in Kamchatskiy krai



Total volume of vegetables, melons and gourds market forms about 40 thousand tons.

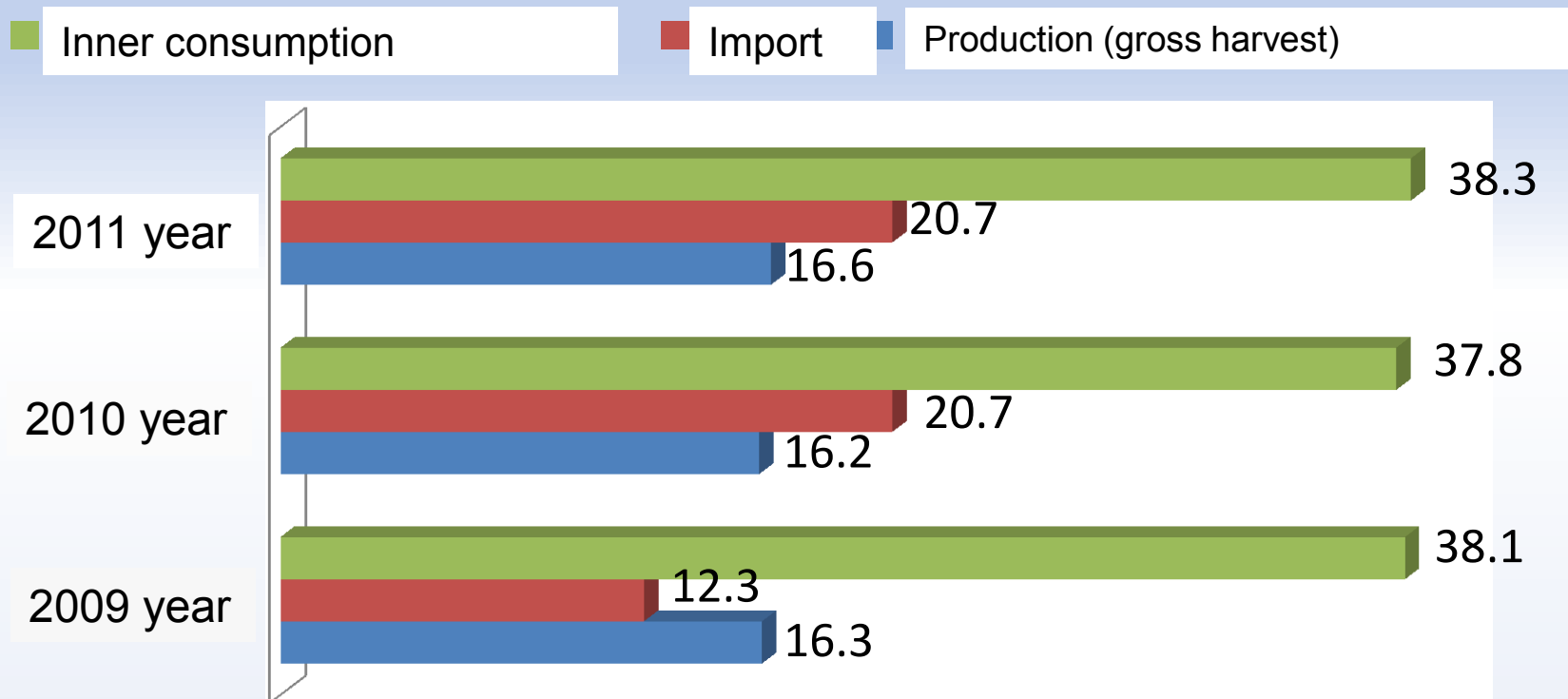
Import of vegetables to the territory of Kamchatskiy krai forms 55% of total market volume.

Cucumbers and tomatoes do not grow in the open soil due to severe weather conditions in Kamchatskiy krai, as a result it occurs a shortage on a local r





Balance of vegetable market (thousand tons)





Goal of the project:

- Provide a 50 % of need in fresh vegetables the population of Kamchatskiy krai.
- Provide safety of products in the region.
- Supply the population with fresh ecologically sound vegetables and greens during the year.

Expected results:

Modern technological methods along with a selection and certification of production will allow to output the product with a high flavoring quality, perfect look, long-term keeping, not expensive, ecologically clean and healthy.



General characteristics

Total area of ground, hectare	55
Possibility of widening	Existence
Form of property	Municipal
Charge	Absence
Number of potential residents, units	10



Distance from the ground:

Petropavlovsk-Kamchatskiy city	11 km
Yelizovo town	27 km
auto roads	150m from the line
airport	18km from Yelizovo airport
sea port	55km from Petropavlovsk-Kamchatskiy sea trade port

Types of products to be produced



- **Tomatoes;**
- **Cucumbers;**
- **Eggplant;**
- **Marrows;**
- **Bulgarian pepper;**
- **Lettuce.**



Output volume: 13 thousand tons per year

Main consumers: population of Kamchatskiy krai, Magadan region, Chukotsky autonomous okrug

Capacity



- **Greenhouse (total area is 20 hectare);**
- **Workshop for vegetables processing;**
- **Vegetable store;**
- **Logistics center;**
- **Innovation center.**





Necessary infrastructure for project implementation :

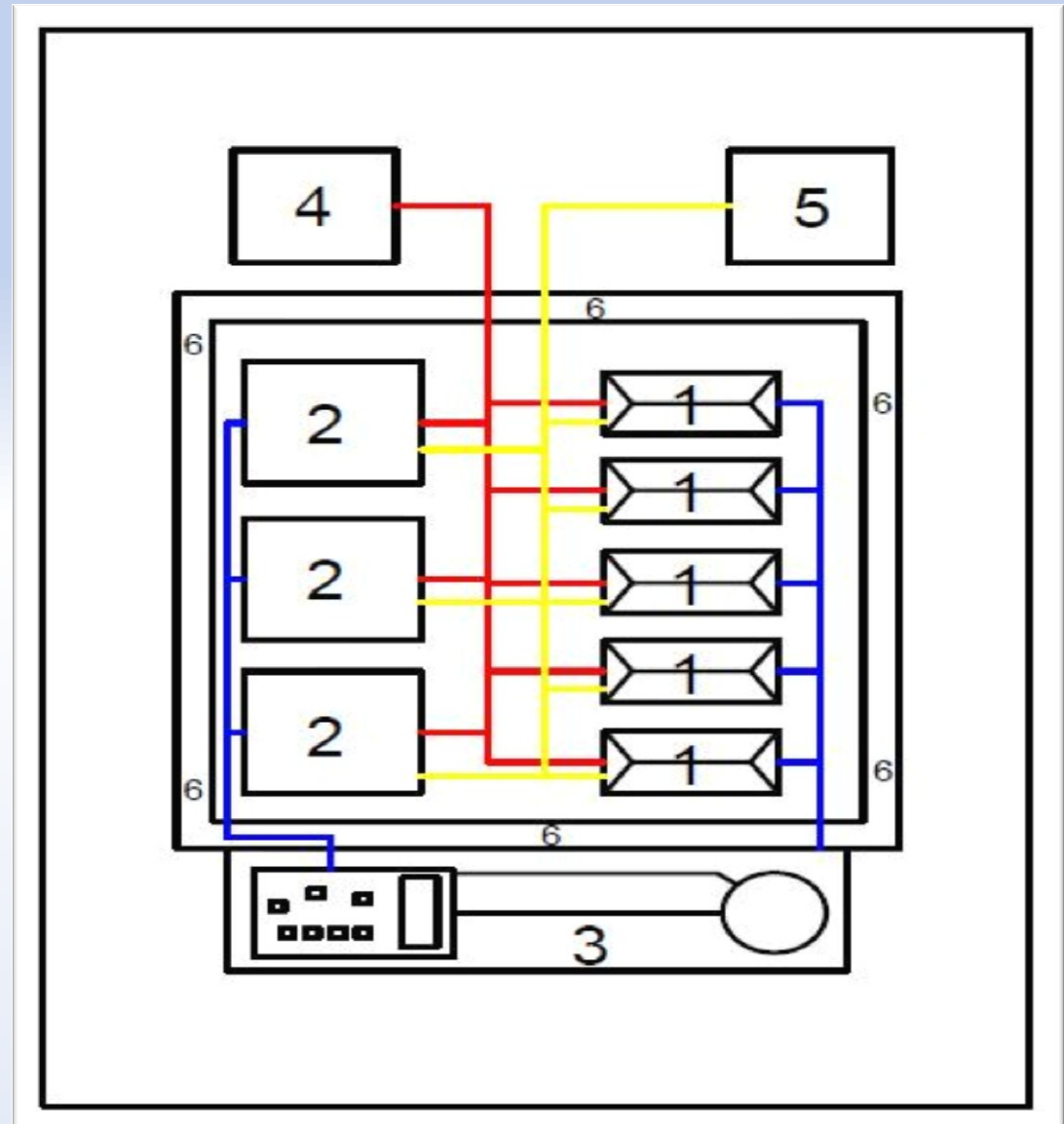
- ✓ Water-pipe, pumping station , reservoirs for water reserve in case of fire;
- ✓ Treatment facilities;
- ✓ Auto road with lighting system;
- ✓ Transformer station, main power supply system;
- ✓ Connection to semi villages gas supply pipeline network.

Total cost of infrastructure: 18,3 million \$

Scheme of agro-industrial ground



1. GREEN PLANT HOUSE
2. LOGISTICS CENTER – VEGETABLE STORE
3. TREATMENT FACILITIES
4. TRANSFORMER STATION
5. GAS-DISTRIBUTION STATION
6. ROAD INFRASTRUCTURE



Investments volume



Project cost: 116,7 million \$

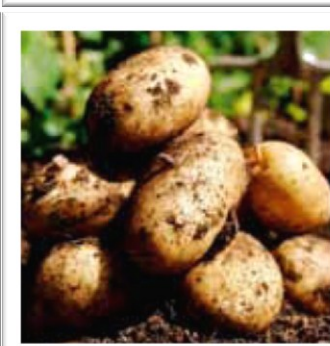
Funding sources:

- 18,3 million \$ (infrastructure) – budget investments;
- 98,4 million \$ (commercial objects) - private investments.

Period of implementation: 2014 – 2019 years

Current status of the project:

- Stage of the project;
- An application preparation in Ministry of Economic Development of the Russian Federation to participate in selection of the subjects of the Russian Federation for getting a state support in forms of subsidy for the creation of agro-industrial ground.



Social effect of the project



- Creation of 200 new working places for region's population.
- Additional tax proceeds in a budget.
- Increase of self-sufficiency level of Kamchatskiy krai with high-quality, ecologically sound vegetables.



State support for agricultural producers of the investment activity in Kamchatskiy krai



granting of 50% subsidies to purchase fertilizer of Russian production



granting of 50% subsidies to purchase lime fertilizing of Russian production



compensation of 50 % expenses for purchasing agricultural equipment and 20% expenses for greenhouse plant equipment



partial compensation of expenses for interest payment on credits of 100% refinancing rate in accordance with rate of Central Bank of the Russian Federation



agricultural commodity producers - tax payers of a common agricultural tax are out of income tax payment



GOVERNMENT OF
KAMCHATSKIY
KRAI

Thank you for attention!

Ministry of Economic Development, Business and
Trade of Kamchatskiy krai
Telephone/fax: +7 (4152) 425-659 / 425-680
E-mail: econ@kamchatka.gov.ru;
prominvest@kamgov.ru
Web-site: www.kamchatka.gov.ru;
<http://invest.kamchatka.gov.ru>